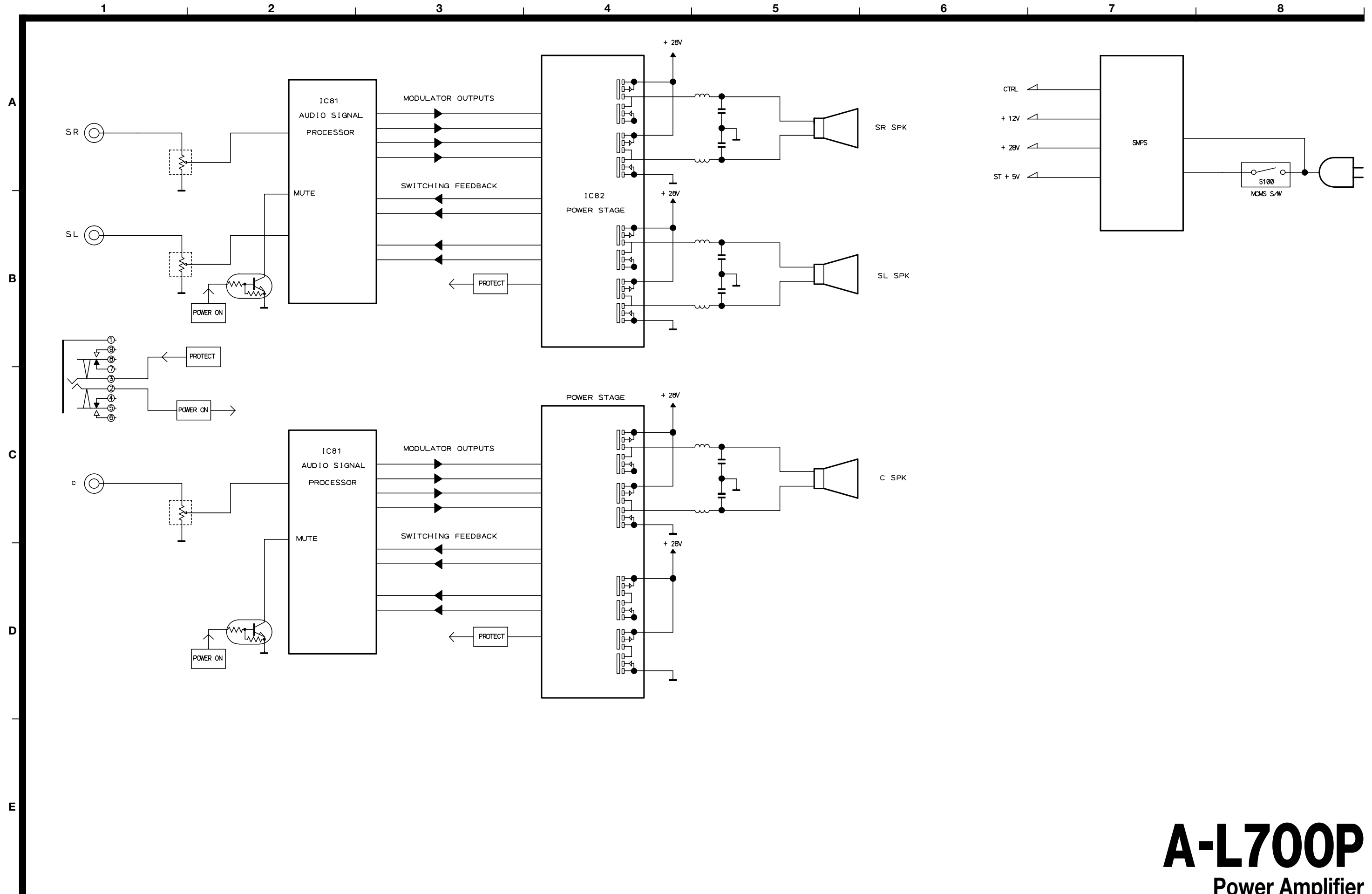
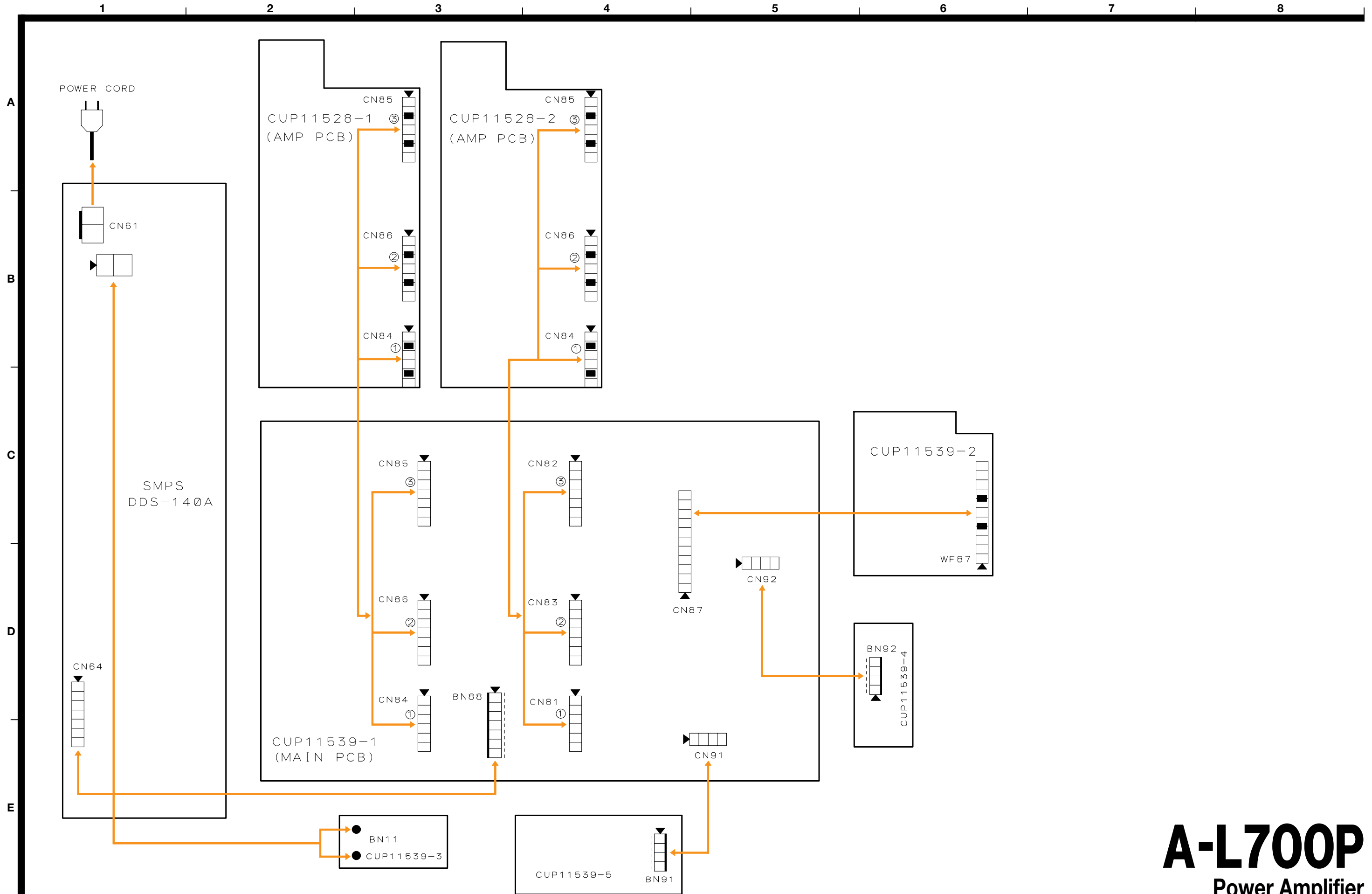


TEAC BLOCK DIAGRAM A-L700P



TEAC WIRING DIAGRAM A-L700P



TEAC SCHEMATIC DIAGRAM A-L700P MAIN PCB, DIGITAL AMP PCB

1 2 3 4 5 6 7 8

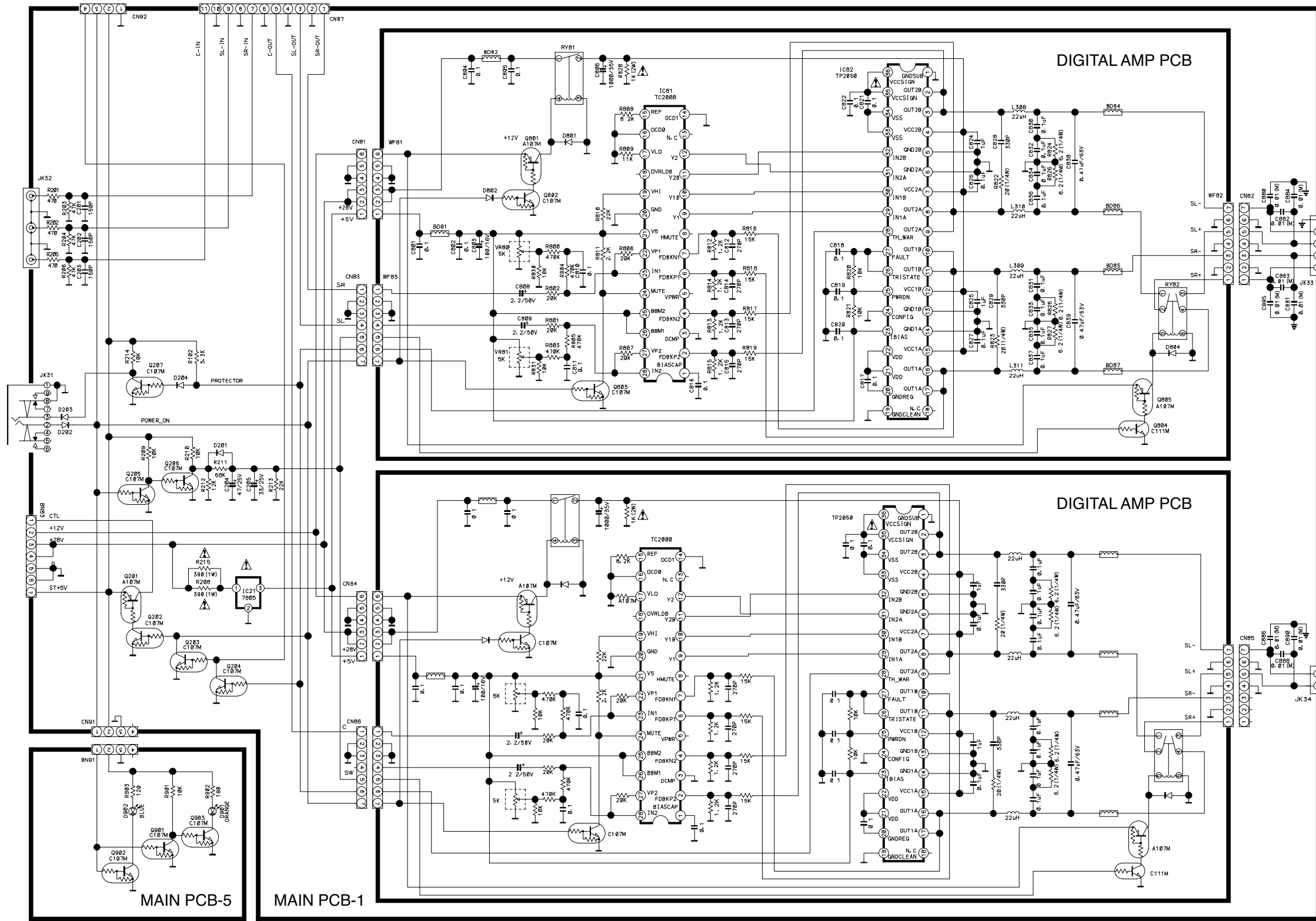
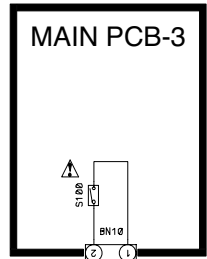
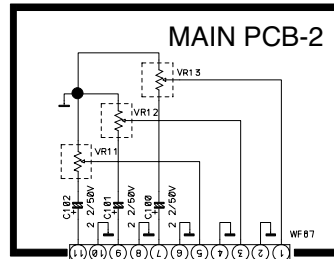
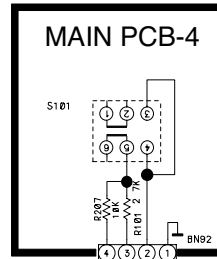
A

B

C

D

E



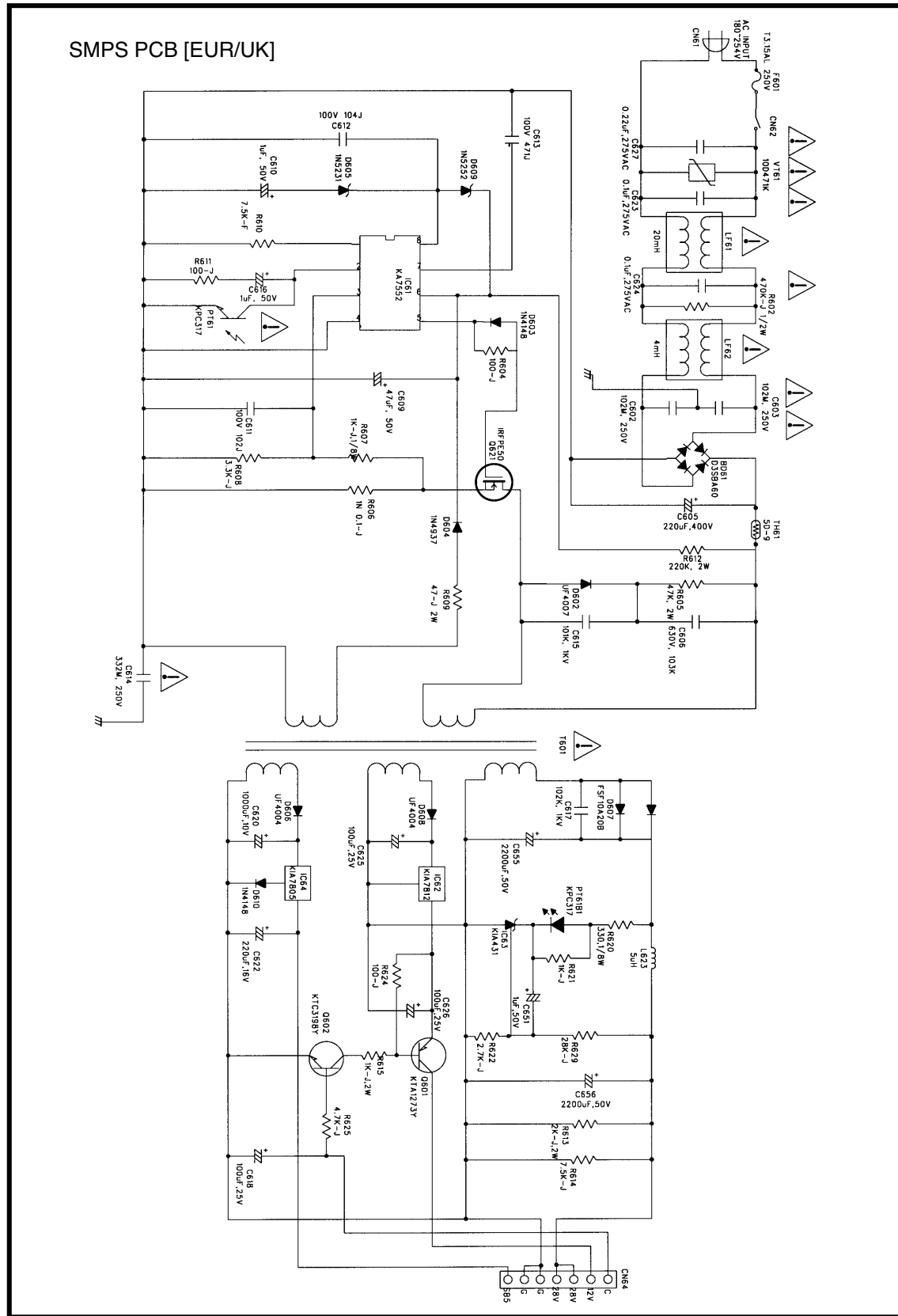
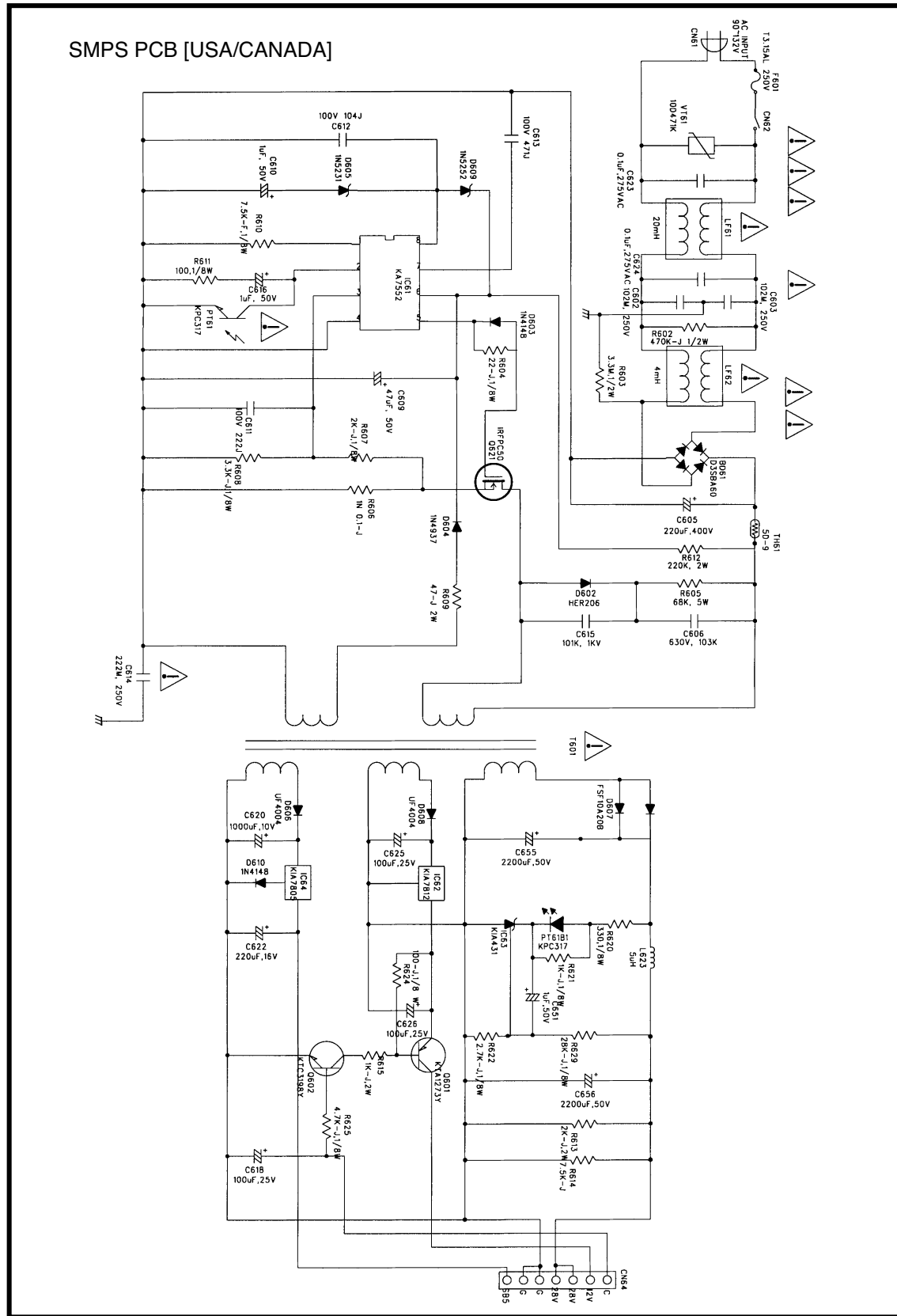
- NOTES:**
1. Resistor values are in ohms (k=kilo-ohms, M=megohms).
 2. Capacitor values are in microfarads (μ=picofarads).
 3. ⚠️ Parts marked with this sign are safety critical components. They must always be replaced with identical components-refer to the appropriate parts list and ensure exact replacement.

A-L700P

Power Amplifier

1st Issue; November 2002

A
B
C
D
E



INSTRUCTIONS FOR SERVICE PERSONNEL
BEFORE RETURNING APPLIANCE TO THE CUSTOMER, MAKE LEAKAGE-CURRENT OR RESISTANCE MEASUREMENTS TO DETERMINE THAT EXPOSED PARTS ARE ACCEPTABLY INSULATED FROM THE SUPPLY CIRCUIT.

NOTES:
 ⚠️ Parts marked with this sign are safety critical components. They must always be replaced with identical components—refer to the appropriate parts list and ensure exact replacement.